

Columbia

Product Catalogue

COLUMBIA NYLON HANDLE PUTTY KNIVES

WITH HAMMER HEAD!

Introducing the Columbia Nylon Putty Knives, engineered for superior drywall finishing performance. Crafted with precision, strength, and flexibility, these knives are perfect for a range of drywall tasks.

Designed for professionals who demand high performance and reliability, they deliver a flawless finish every time. Featuring a premium stainless steel blade for exceptional durability and sharpness, excellent flexibility for smooth finishes, and a nylon handle with a hammer head for added convenience and strength, these knives combine top-tier materials and design for optimal results.

Item No. Description

- NPK1.5 1.5" Putty Knife
- NPK2 2" Putty Knife
- NPK3 3" Putty Knife
- NPK4 4" Putty Knife
- NPK5 5" Putty Knife
- NPK6 6" Putty Knife
- NPK8 8" Putty Knife
- NPK10 10" Putty Knife
- PJK3.5 3.5" Pointing Joint Knife
- CJK6 6" Clipped Joint Knife
- 9-1MT 9 In 1 Multi Tool





COLUMBIA STAINLESS MUD PANS

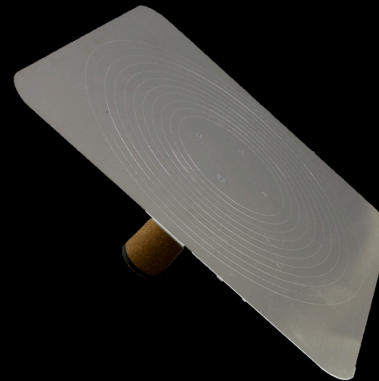
LIFETIME WARRANTY

Columbia Tools introduces the Columbia Mud Pan, designed for professionals who prioritize durability, comfort, and performance. Made from heavy-gauge stainless steel with watertight, laser-welded seams, it's built to handle tough jobs and offer long-lasting reliability. The round corners make it easy to clean mud out, while the tapered ends and sides ensure a secure grip. The included free non-slip rubber grip provides added comfort. Available in 12", 14", and 16" sizes and sold in packs of 6, the Columbia Mud Pan is backed by a lifetime warranty and engineered for strength, efficiency, and ease of use.

Item No.	Description
C12MPX6	12" STAINLESS MUD PAN
C14MPX6	14" STAINLESS MUD PAN
C16MPX6	16" STAINLESS MUD PAN

COLUMBIA PREMIUM HAWK & TROWELS

Introducing the Columbia Premium Finishing Hawk and Trowels, designed for professionals who require flexibility, strength, and control. Our trowels feature hardened stainless steel blades, round corners, and ergonomic cork handles, available in Pro-Flex Gold (12", 14", 16", 18"), Curved Gold (12", 14", 16"), Curved Silver (12", 14"), and Super-Flex Gold (12", 14") sizes. The 13" Finishing Hawk ensures smooth gliding with a high-quality aluminum plate, round corners, and a comfortable cork handle with a rubber cover.



14" FINISHING TROWEL
355mm
TROWEL DE FINITION
LANA DE ACABADO

Item No.	Description
12-4.7-0.7-G-C	12" GOLD FINISHING TROWEL
14-4.7-0.7-G-C	14" GOLD FINISHING TROWEL
16-4.7-0.7-G-C	16" GOLD FINISHING TROWEL
18-4.7-0.7-G-C	18" GOLD FINISHING TROWEL
12-4.7-0.7-G-C-C	12" GOLD CURVE TROWEL
14-4.7-0.7-G-C-C	14" GOLD CURVE TROWEL
16-4.7-0.7-G-C-C	16" GOLD CURVE TROWEL
12-4.7-0.4-S-C-C	12" SILVER CURVE TROWEL
14-4.7-0.4-S-C-C	14" SILVER CURVE TROWEL
12-4.3-0.3-G-C	12" GOLD FINISHING TROWEL .3MM
14-4.3-0.3-G-C	14" GOLD FINISHING TROWEL .3MM
13-H-S	13" X 13" HAWK

Columbia
FINISHING TROWEL

MUD ROLLERS

Introducing the Mud Roller from Columbia Tools – the ultimate solution for fast, smooth, and efficient coating applications.

Designed for professionals, this innovative mud roller ensures consistent coating thickness, perfect flatness, and minimal effort for every pass.



Item No.

Description

FMRAF3	3" Mud Roller with Acme Thread Roller Frame
FMRAF9	9" Mud Roller with Acme Thread Roller Frame
FMRAF1.5	1.5" Corner Mud Roller with Acme Thread Frame
FMR3X18MM	3" x 18mm Mud Roller Replacement
FMR9X18MM	9" x 18mm Mud Roller Replacement
FCMR1.5X18MM	1.5" x 18mm Corner Mud Roller Replacement
FECCL33	33" Mud Roller Case

This product offers increased capacity, holding 20%-50% more coating to reduce refills, a smooth finish with even coverage and no smudging, self-refilling functionality for continuous coverage, resilient fibers for uniform application, anti-splash design for a cleaner workspace, easy-to-clean fibers, versatility with paste, airless, and fluid powder coatings, and comes in multiple sizes ranging from a 1.5" corner roller, 3" roller, and a 9" roller.

Sabre

SMOOTHING BLADES

Columbia has answered the call from our customers looking for a lighter/more affordable version of the Tomahawk Smoothing Blades. The Sabre Smoothing Blades still offer a precise finish but by no means does this product replace the Tomahawk's being our premium option. It is our solution to Columbia Customers looking for a lighter/more affordable option. The body profile remains the same as the Tomahawk's but is made from high quality plastic rather than billet aluminium.

The Sabre Set comes with the Sabre essentials, 10", 16", 24", and 32" —along with a sturdy Sabre Pole and a versatile Sabre Claw Adapter.



Item No.	Description
SSB7	Sabre Smoothing Blade 7"
SSB10	Sabre Smoothing Blade 10"
SSB12	Sabre Smoothing Blade 12"
SSB14	Sabre Smoothing Blade 14"
SSB16	Sabre Smoothing Blade 16"
SSB18	Sabre Smoothing Blade 18"
SSB24	Sabre Smoothing Blade 24"
SSB32	Sabre Smoothing Blade 32"
SSB40	Sabre Smoothing Blade 40"
SSB48	Sabre Smoothing Blade 48"
SBC	Sabre Claw Adapter
SBP	Sabre Pole
SBCASEM	Smoothing Blade Case (Medium)
SBSET	Sabre Smoothing Blade Set

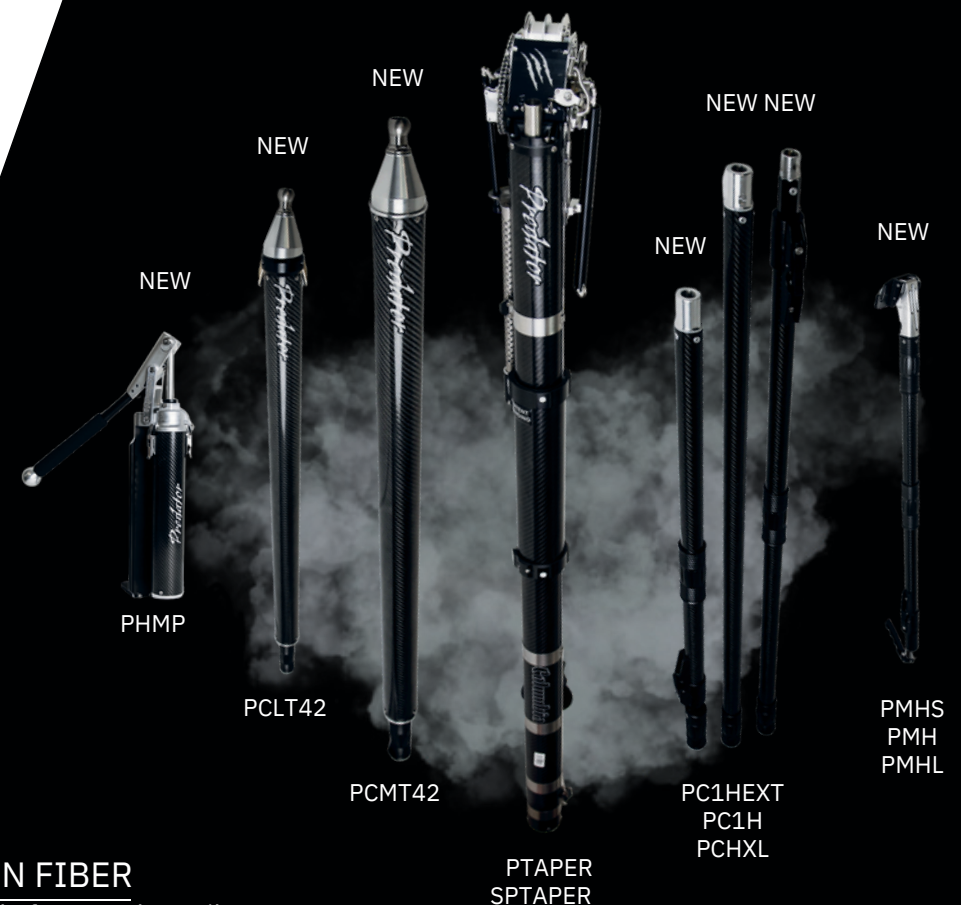
COLUMBIA PREDATOR NEW LAUNCH

THE FAMILY IS EXPANDING

Columbia was the first to introduce Carbon Fiber into the Taping Tool market with the Predator Automatic Taper in 2018. We are proud to introduce new additions to the Predator family. These tools are handmade from Carbon Fiber which makes them significantly lighter, stronger & dent proof while remaining warm to the touch.

Predator

Item No.	Description
PHMP	Predator Mud Pump
PCLT42	Predator Camlock Tube 42"
PCMT42	Predator Compound Tube 42"
PC1HEXT	Predator Extendable 3'-5'
PC1H	Predator One Handle 4'
PCHXL	Predator Long Extendable 4'-8'
PMHS	Predator Matrix Handle Short 29"-39"
PMH	Predator Matrix Handle 40"-60"
PMHL	Predator Matrix Handle Long 56" -76"



CARBON FIBER

- Handmade from Carbon Fiber
- Significantly lighter
- Dent proof/high stiffness and strength
- Stable temperature and remains warm to the touch
- Additional grip compared to aluminium

COLUMBIA FAMILY OF SETS

Our new family of tool sets makes it easy to move from hand taping to semi-automatic tools, or even fully automatic tools. These sets take the guess work out of purchasing what you need to completely finish a job.

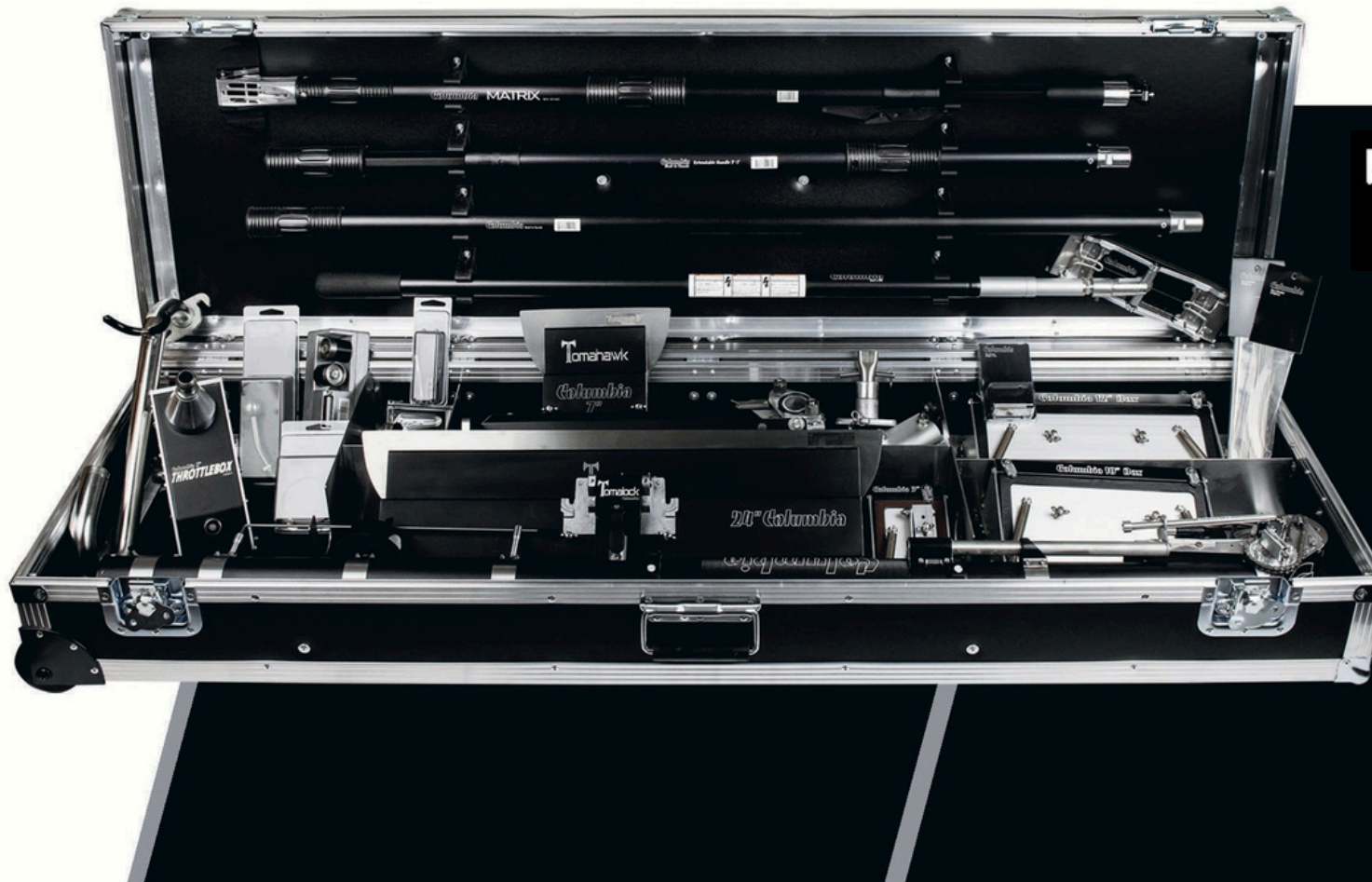
Each set comes complete with a Columbia case to protect and store your investment, all while making it easy to travel from worksite to worksite. Columbia Sets are another way we are making taping tools easy.

Item No.

TS
PTS
SACS
TWS

Description

Tactical Set
Predator Tactical Set
Commando Set
Warrior Set



Columbia TACTICAL SET

Road Case
Automatic Taper
10" Flat Box
12" Flat Box
Matrix Handle
7" Tomahawk
24" Tomahawk
8" Throttle Box
3" Angle Head
Hot Mud Pump
Box Filler & Gooseneck
Corner Roller

AHA
3" Nail Spotter
Columbia One Handle
Columbia One EXT
Sander Head
Twist Lock Handle
Tomalock Adapter
Repair Kits: AH-RK,
FFBR9-10, FFBR9-12,
FFBR7-7A, CTR-1



Columbia
WARRIOR
 TOMAHAWK FINISHING SET

- Semi Automatic Case
- 7" Tomahawk
- 12" Tomahawk
- 18" Tomahawk
- 32" Tomahawk
- Tomalock Adapter
- Columbia One EXT Handle

Columbia
COMMANDO
 SEMI-AUTOMATIC SET

- Semi Automatic Case
- 2.5" Standard Flusher
- 3" Standard Flusher
- 42" Compound Mud Tube
- Columbia One EXT Handle
- Columbia One Fixed Handle
- Anglehead Adapter
- Flat Applicator Head
- Two-Way Internal Applicator
- Corner Roller Head





AUTOMATIC TAPER

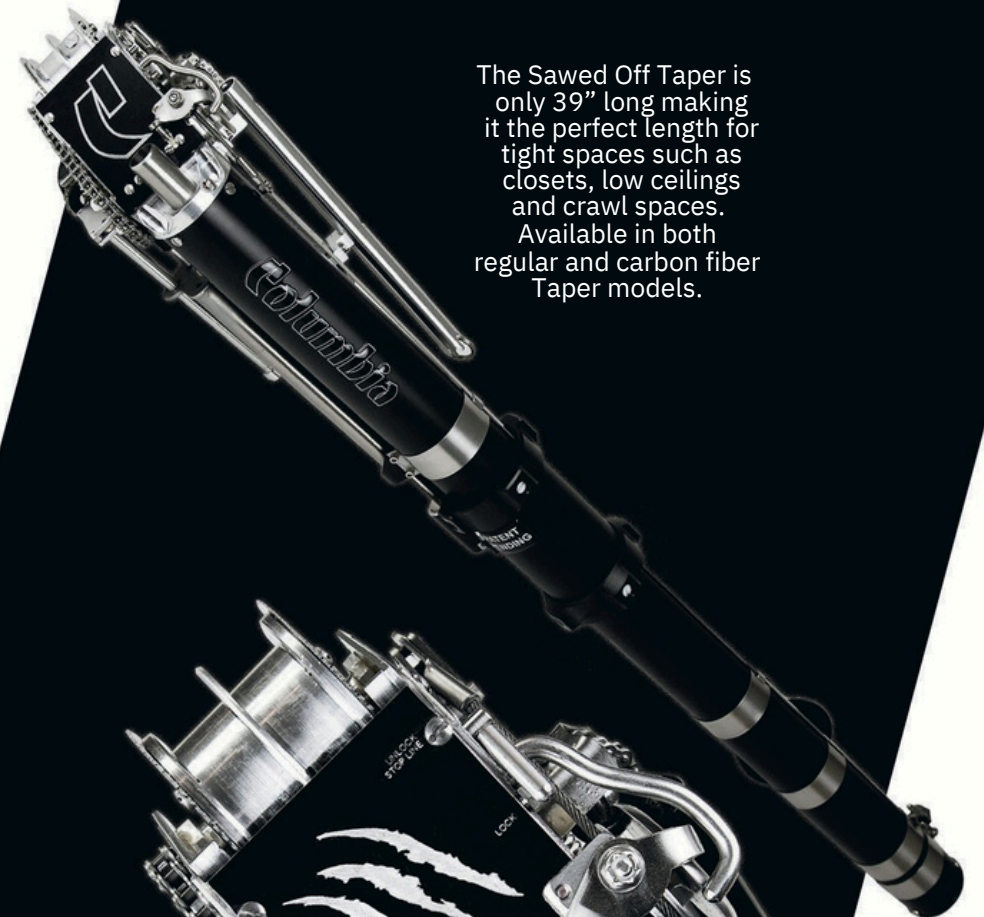
We have been perfecting our Automatic Taper for over 30 years. The results of our superior engineering, craftsmanship, and service are proven daily among the world's top commercial and residential drywall contractors. Our Taper has been specifically designed to run at peak performance in the most demanding commercial environments where daily punishment and abuse are run of the mill. When you are tired of compromising, step into a Columbia Taper.

Predator

Our Carbon Fiber Predator Automatic Taper is one of the latest innovations out of the Columbia workshop. The first carbon fiber taper on the market, the Predator is also the lightest and most durable. We are proud to offer our customers the next generation in top notch drywall taping tools.

Item No.	Description
TAPER	Columbia Automatic Taper (53" length)
PTAPER	Columbia Predator (Carbon Fiber) (53" length)
STAPER	Columbia Sawed Off Taper (39" length)
SPTAPER	Columbia Predator Sawed Off (Carbon Fiber) (39" length)

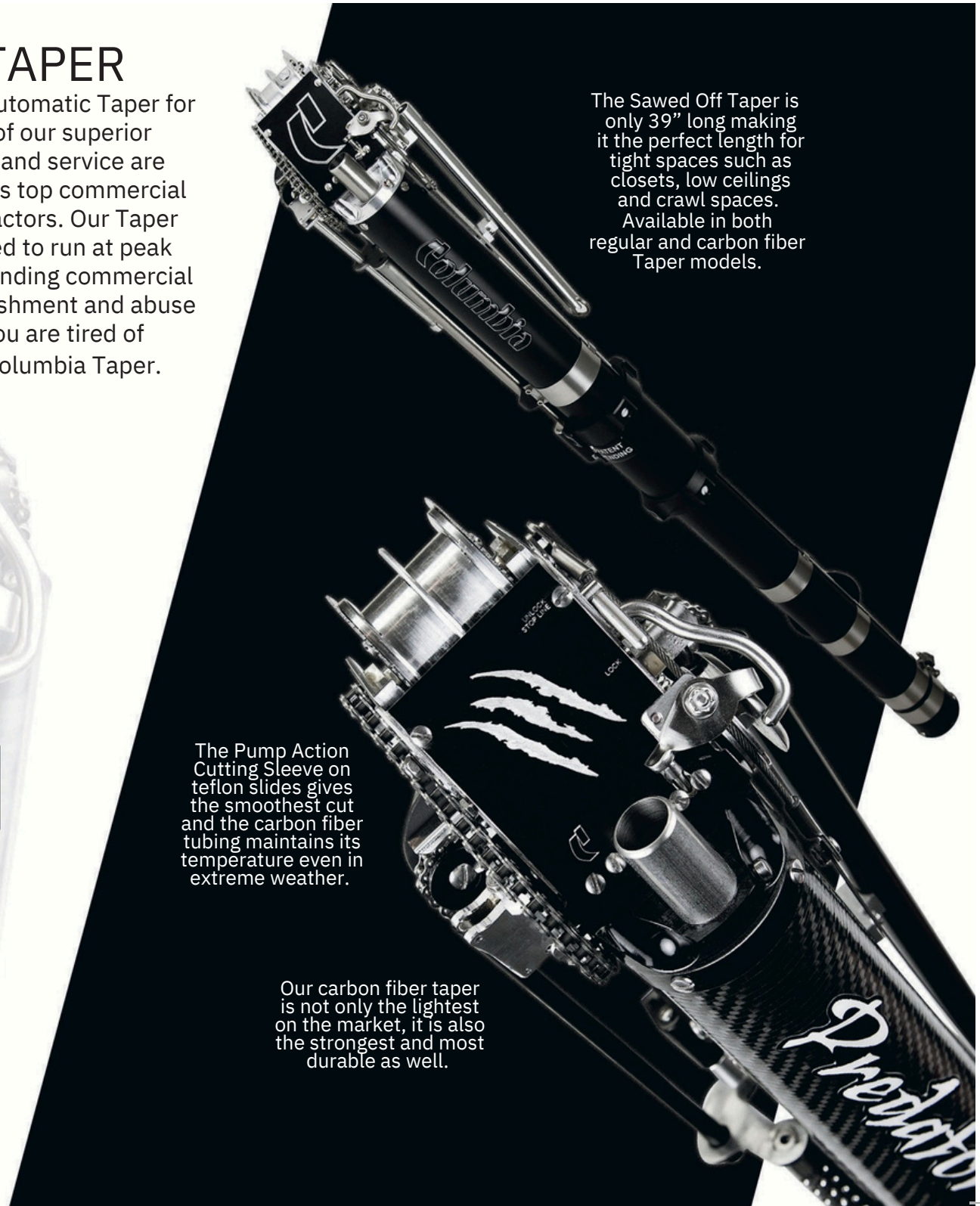
GET SOCIAL:
@columbiatools



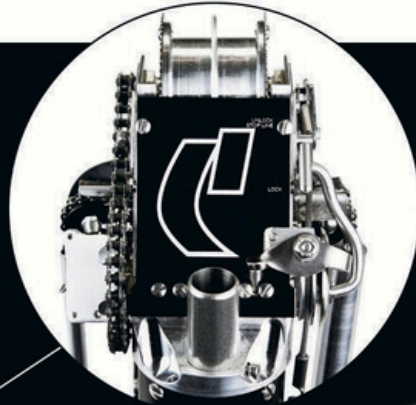
The Sawed Off Taper is only 39" long making it the perfect length for tight spaces such as closets, low ceilings and crawl spaces. Available in both regular and carbon fiber Taper models.

The Pump Action Cutting Sleeve on teflon slides gives the smoothest cut and the carbon fiber tubing maintains its temperature even in extreme weather.

Our carbon fiber taper is not only the lightest on the market, it is also the strongest and most durable as well.



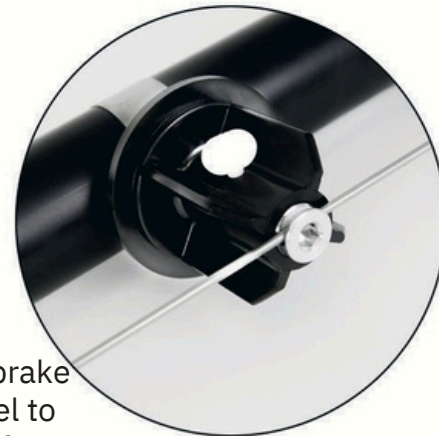
With the Cam Lock Cap, quick release removal makes cleaning the head and changing the cables fast and easy.



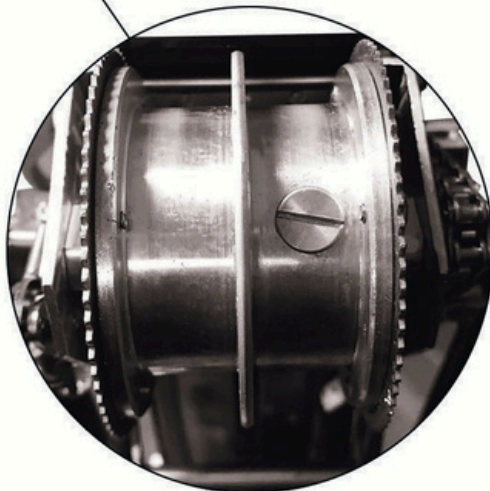
The Pump Action Sleeve gives you the smoothest cut on the market. This adjustable sleeve runs on teflon wheels to offer a low friction glide.



We have designed an ergonomic trigger for the creaser wheel to create an ease of use.



Buttons in the drum prevent mud from entering the head.



We have added a brake on the taper wheel to prevent your tape from running too quickly.





CORNER ROLLERS

Manufactured with a die-cast head and hardened stainless steel top rollers for long lasting angle work, no other roller can match it. These rollers are used after the Taper, on 90° internal angle joints on walls and ceilings to embed the tape into angles in preparation for the Angle Heads and Flushers. The Columbia Corner Roller features split hardened steel/Delrin wheels designed to reduce drag on tape and overall tool weight.



CORNER COBRA

The Corner Cobra is an amazing time saving tool. It allows the user to roll out No-Coat™ and other structural corner beads at almost all inside and outside angles. We have heard back from users that it does it quicker and better, which to us, is a home run. Another one of our patented products that is changing the time it takes to finish a job.



Works on inside and outside angles from 85 to 180 degrees.

Pivot head adjusts to angles.

Item No.	Description
----------	-------------

CC	Corner Cobra
CR	Corner Roller



OUTSIDE CORNER ROLLERS

Offering three different profiles, Columbia Outside Corner Rollers will be sure to make your tape on bead setting job faster. Whether you're applying standard, bullnose or euro bead, our rollers make the job easier and help you achieve a great finish every time.

Item No.

Description

COBCR	Standard Outside Corner Roller
CBNCR	Bullnose Outside Corner Roller
COBCRE	European Outside Corner Roller
COBCRW	Wide Outside Corner Roller

Pivot head
adjusts to
angles.



ANGLE HEADS

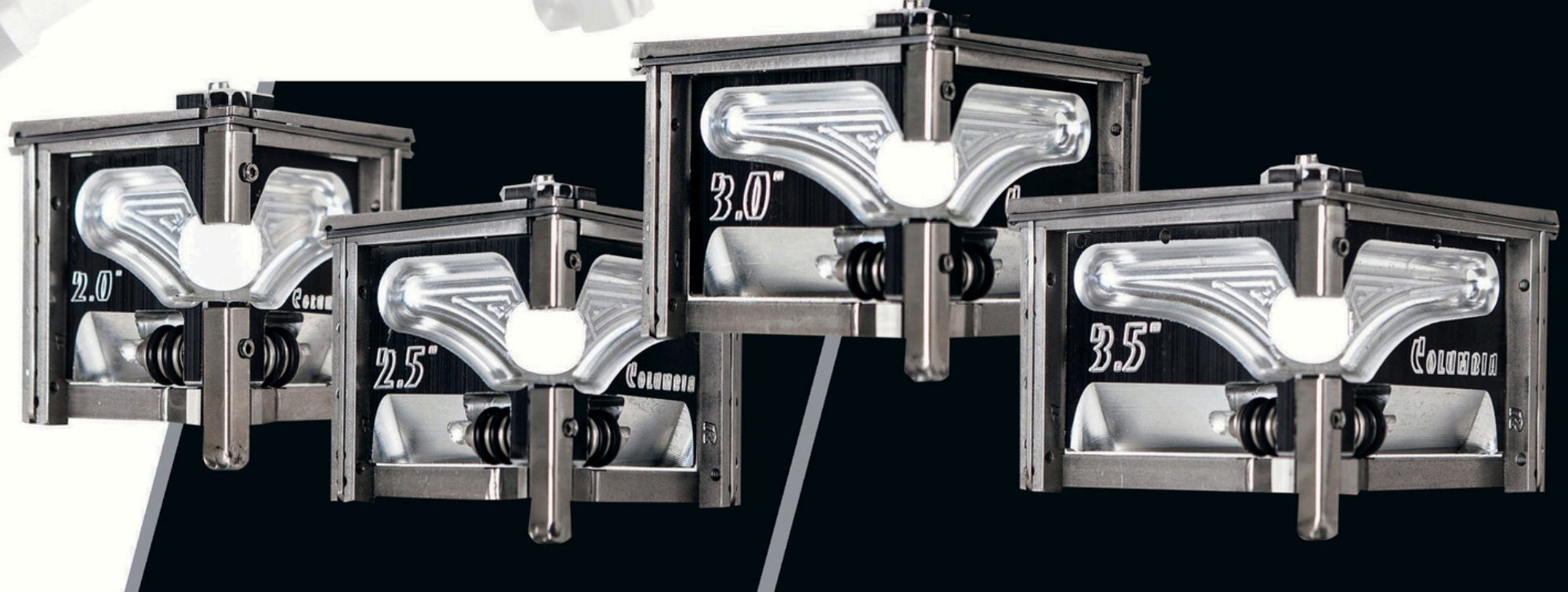
Columbia Angle Heads are the best money can buy! They professionally finish angles with the correct consistency of compound and the proper feathering of edges. Precision machined billet aluminum head and durable stainless steel wings ensure longer wear and performance.

Angle Heads are used in 90° internal angle joints after the Corner Roller to evenly feather compound over tape. All Angle Heads come with wheels.

Item No.

Description

2AH	2" Angle Head
2.5AH	2.5" Angle Head
3AH	3" Angle Head
3.5AH	3.5" Angle Head
AHA	Angle Head Adapter



THROTTLEBOX

The Throttle Box is another great product of ours that offers years of great performance. All billet construction with a threaded stainless steel ball, this Corner Box looks and operates seamlessly. All our Corner Boxes now come standard with automatic capabilities, making pushing the box at least 50% easier than standard boxes. The new springs have adjustable tensions and greatly reduce the occurrence of air pockets while running. The Throttle Box allows the corners to be quickly coated with your choice of angle head or applicator head. *Patent Pending

Billet handle mount will not crack under pressure like cast.

Solid stainless steel valve for lifetime usage. Will not leak like other welded thin wall designs.

50% easier to push!

Thumb release door stop for quick clean.



Item No.	Description
7CFB	7" Corner Flusher Box
8CFB	8" Corner Flusher Box



FLAT FINISHER BOX

This is one tough tool. Our flat boxes are considered by many as the best on the market; they are designed to perform day in and day out to finish your job smoothly and evenly.

Item No.	Description
----------	-------------

5.5FFB	5.5" Flat Finisher Box
7FFB	7" Flat Finisher Box
8FFB	8" Flat Finisher Box
10FFB	10" Flat Finisher Box
12FFB	12" Flat Finisher Box
14 FFB	14" Flat Finisher Box



The bead wheel axel will allow our users to run their Columbia Flat Boxes on the bead without wearing down the axel. Comes standard on all flat boxes.



Hinged door system allows you to remove springs eliminating back pressure and keeping the door against the mud at all times.

FAT BOY FLAT BOXES

Need a larger, stronger box with greater mud capacity for loading flats and butts? We are proud to meet your needs with our Fat Boy Boxes. Available in 8", 10" and 12" sizes, these boxes really go the extra mile. Fat Boys hold approximately 40% more compound than standard boxes, saving you many trips to the pump.

Item No.	Description
----------	-------------

5.5FBB	5.5" Fat Boy Flat Box
8FBB	8" Fat Boy Flat Box
10FBB	10" Fat Boy Flat Box
12FBB	12" Fat Boy Flat Box



GET SOCIAL:
@columbiatools



AUTOMATIC FLAT BOXES

The Automatic Flat Boxes reduce the need to push the compound on to the wall. By engaging, the box springs put pressure on the compound chamber requiring only a light push to operate the box. Well-built and fine-tuned to offer great flat joints for years.

Item No.

Description

8FFBA	8" Automatic Flat Box
10FFBA	10" Automatic Flat Box
12FFBA	12" Automatic Flat Box
14FFBA	14" Automatic Flat Box
8FBBA	8" Automatic Fat Boy Box
10FBBA	10" Automatic Fat Boy Box
12FBBA	12" Automatic Fat Boy Box
ITC-K	Inside Track Conversion Kit

INSIDE TRACK KIT

Use this kit to convert any box (with the exception of automatic boxes) from a regular axel box to an inside track box.

The main advantage of having wheels inside the side plate is in running butt joints and navigating obstacles such as potlights and door jams.

The key is having the wheels inside the coating path of the box blade.

NAIL SPOTTERS

Our Nail Spotter has an extremely light weight and durable design. It's hinged door allows for easy access and cleaning, and the adjustable thumb tension screw allows for quick and easy adjustment of pivot tension.

Item No.

Description

2NS	2" Nail Spotter
3NS	3" Nail Spotter
HNSA-5-2	2" Wheel Conversion Kit
HNSA-5-3	3" Wheel Conversion Kit



GET SOCIAL:
@columbiatools





MUD PUMPS

Our Mud Pumps are built to exacting air-tight standards making them the easiest pump to prime. They're fabricated with an anodized aluminum cylinder, durable stainless steel shaft, a precision machined cast aluminum head and a tough solid billet aluminum leg.

The Tallboy is a mud pump that will allow you to stand upright while filling your tools. The extra height also allows for use in a 30 gallon pale for those who want to cut down on mixing time. Ergonomically superior, this pump saves the user physical stress and energy.



Item No.	Description
HMP	Hot Mud Pump
TBMP	Tall Boy Hot Mud Pump
HMP-C	Hot Mud Pump (CDN)*
BF <small>PATENT PENDING</small>	Box Filler
TBBF	Tall Boy Box Filler
GN	Gooseneck
TBGN	Tall Boy Gooseneck

*CDN version fits in taller CDN buckets

Tomahawk

SMOOTHING BLADES

Made of strong billet aluminum, the Columbia Tomahawk Smoothing Blades have no plastic parts that will break or crack under the heavy weight of the larger blades. This makes the Tomahawk blades the strongest and most durable on the market today. The blades are replaceable and can be switched out if needed. The Tomahawk blades are compatible with all flat box handles or use the Tomalock adapter (CLTHA) that fits the Columbia One handles, as well as the Twist Lock handle.

*Available in 9 different sizes



The CLTHA fits on the Columbia One or the Twist Lock handles.



Item No.	Description
----------	-------------

TSB-7	7" Tomahawk
TSB-10	10" Tomahawk
TSB-12	12" Tomahawk
TSB-14	14" Tomahawk
TSB-18	18" Tomahawk
TSB-24	24" Tomahawk
TSB-32	32" Tomahawk
TSB-40	40" Tomahawk
TSB-48	48" Tomahawk
CLTHA	Tomalock Adapter



GET SOCIAL:
@columbiatools

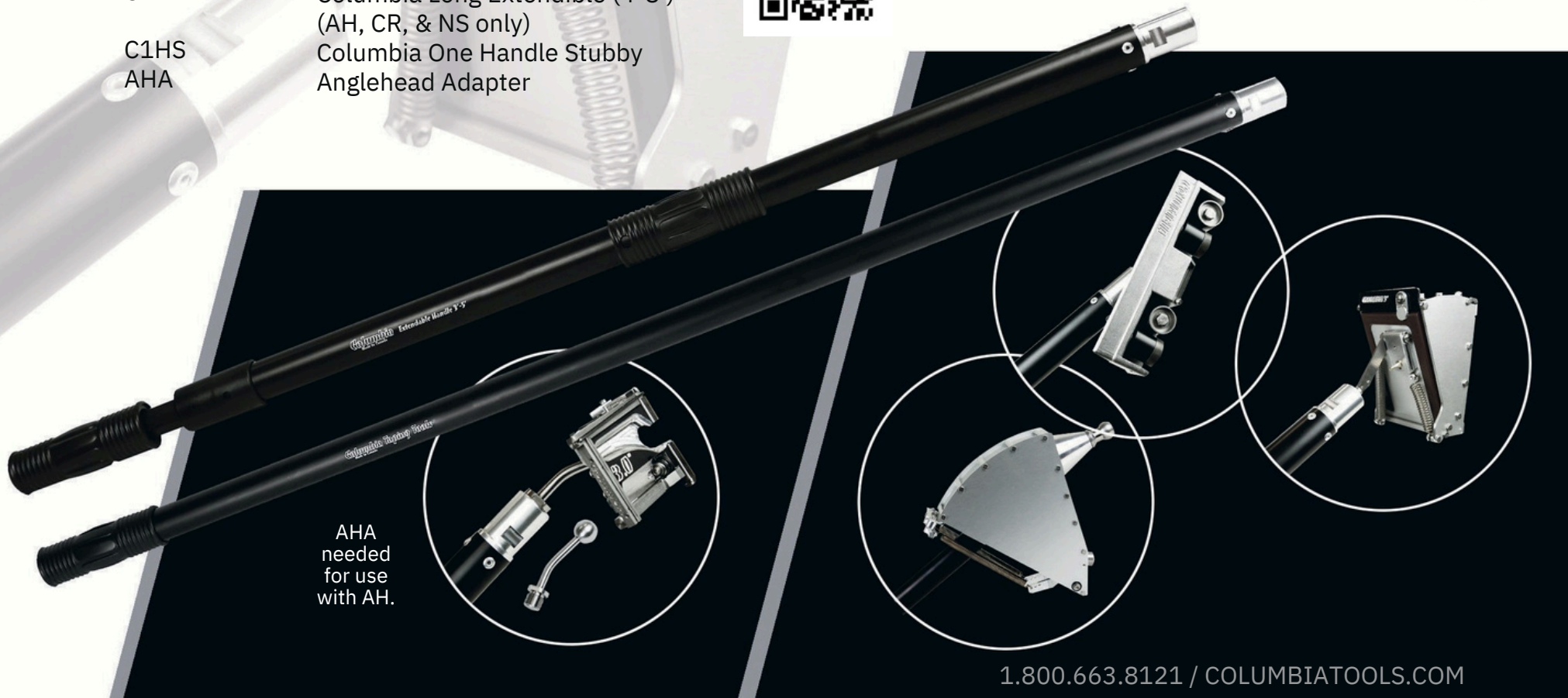
COLUMBIA ONE

The Columbia One Handle is designed to work with your Columbia products universally. From the Nail Spotters and Angle Heads, to the Rollers and the Throttle Boxes, the One system allows you to lighten your load and still utilize all the finishing tools you love.

The Columbia One Stubby is perfect for those smaller areas like crawl spaces and closets.

Item No.	Description
----------	-------------

C1H	Columbia One Handle
C1HEXT	Columbia One Extendible (3-5')
CHXL	Columbia Long Extendible (4-8') (AH, CR, & NS only)
C1HS	Columbia One Handle Stubby
AHA	Anglehead Adapter



AHA needed for use with AH.

FLAT BOX HANDLES

THE MATRIX

The Columbia Matrix Flat Box Handle is light-weight and all mechanical. With a 90 degree comfort grip, the Matrix gives you increased control over your box. These handles are durable and extremely long lasting, all while maintaining the comfort and ease of use that you're used to with the Columbia brand of tools.

The Columbia Matrix mechanical flat box handle is made of all billet aluminum, ensuring a long life.

Item No.	Description
3BH	3' 180° Grip Flat Box Handle
42BH	42" 180° Grip Flat Box Handle
4BH	4' 180° Grip Flat Box Handle
5BH	5' 180° Grip Flat Box Handle
6BH	6' 180° Grip Flat Box Handle
CMH	Closet Monster Handle Matrix
MH	Flat Box Handle 40-60" Matrix
MHS	Flat Box Handle 29-39" Matrix
MHL	Flat Box Handle 56-76" Matrix



Closet Monster - perfect for small spaces.

180° Grip Flat Box Handles allow for continuous braking over the entire range of motion - a complete 180 degrees. This ensures that you never lose your grip when adjusting your position. Extra strong aluminum design for years of rugged use.



SEMI AUTOMATIC TAPER

The Semi-Automatic Taper or “Bucket Taper” allows users to apply a specific amount of compound to a large volume of tape. It has a tape spool with brake to cut down on operator fatigue. Columbia’s Semi Automatic Taper is easy to use, durable and has laser engraved instruction on the door.

COMPOUND TUBES

Built to last, and hands down the smoothest and most durable tubes on the market. Expect quality with our Compound Tube and our Cam Lock Tube. Available sizes include 24”, 32”, 42” and 55”.

Item No.	Description
SAT	Semi Automatic Taper
CMT24	24” Compound Tube
CMT32	32” Compound Tube
CMT42	42” Compound Tube
CMT55	55” Compound Tube
CLT24	24” Cam Lock Tube
CLT32	32” Cam Lock Tube
CLT42	42” Cam Lock Tube
CLT55	55” Cam Lock Tube



Tape spool with brake to control dispensing.



Stainless steel ball and billet aluminum head cone.



BILLET MUD APPLICATORS

These tools glide along the wall leaving the perfect amount of compound on flat surfaces. Machined from a solid piece of billet and then mounted with stainless runners, this tool is built to work.

UHMW MUD APPLICATORS

Our new plastic applicators are a hit! Proportionate grooves give you a consistent mud distribution on the wall and speeds up the pre-filling process. Made out of UHMW, the strong durable design makes these Mud Heads the best on the market.



Item No.

ICATW
ICA2-1
ICA4-1
CEXT90
CFLT
FMH
IA90
OA90
OA90-325

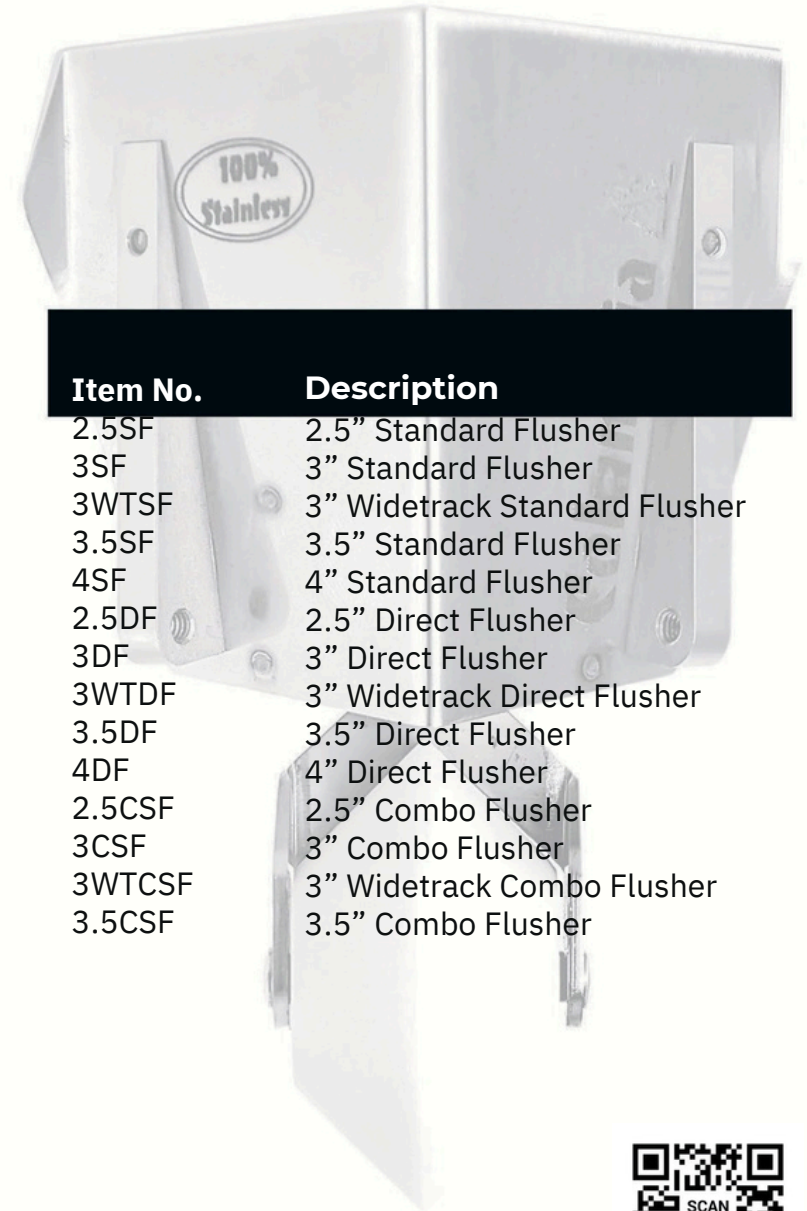
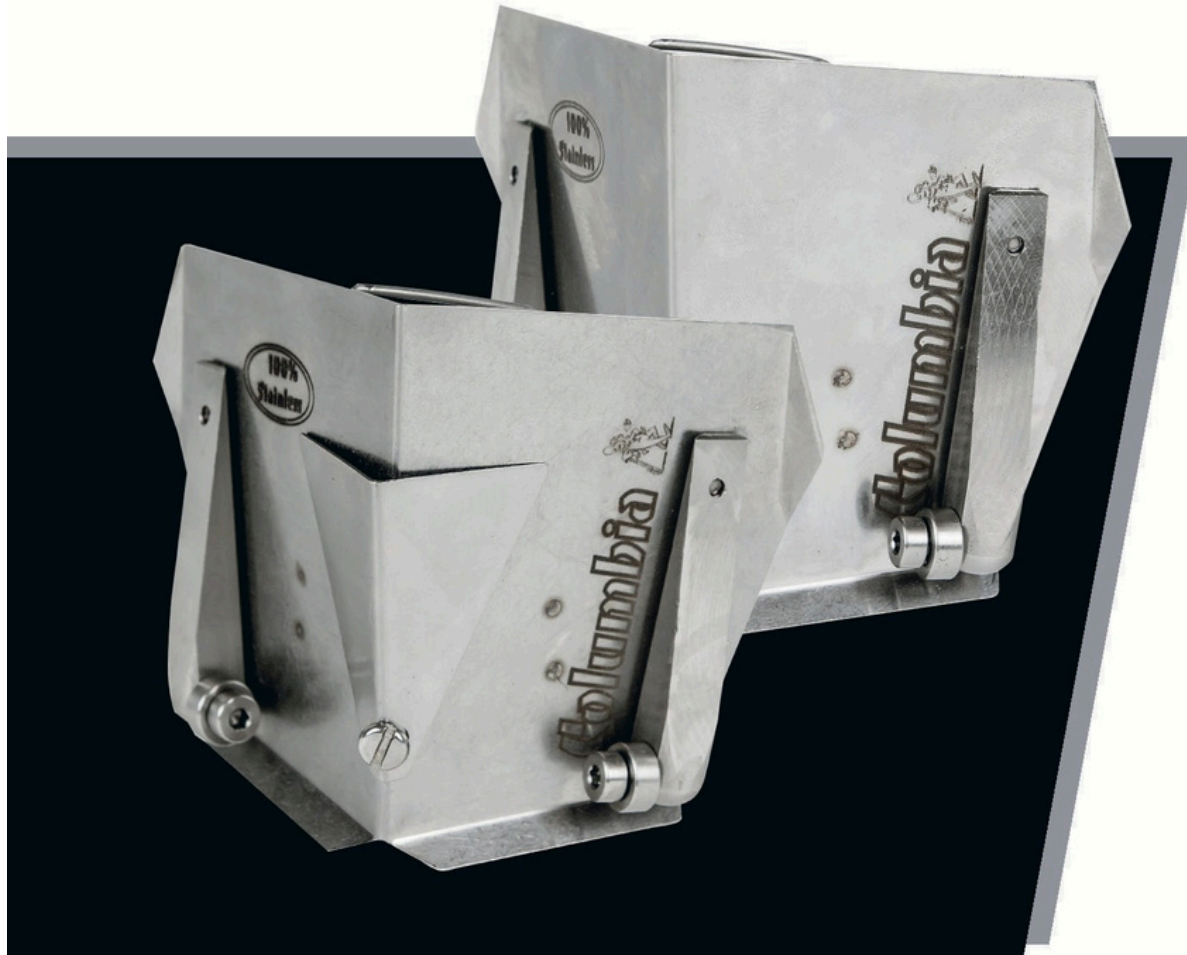
Description

Two-Way Internal Corner Applicator (4 Wheels)
Inside Corner Applicator (2 Wheels) - 1"
Inside Corner Applicator (4 Wheels) - 1"
External 90 Applicator
Flat Applicator
L-Trim Applicator (Plastic)
Inside 90° Applicator (Plastic)
Outside 90° Applicator (Plastic)
Outside 90° 325 Applicator (Plastic)



CORNER FLUSHERS

Columbia Corner Flushers are widely known for being the best on the market. These Flushers have redefined angle finishing. They are built from the best materials, but above all, every single Flusher is hand ground and quality checked on a granite plate for perfection. Flushers come with wheels for easy glide.



Item No.	Description
2.5SF	2.5" Standard Flusher
3SF	3" Standard Flusher
3WTSF	3" Widetrack Standard Flusher
3.5SF	3.5" Standard Flusher
4SF	4" Standard Flusher
2.5DF	2.5" Direct Flusher
3DF	3" Direct Flusher
3WTDF	3" Widetrack Direct Flusher
3.5DF	3.5" Direct Flusher
4DF	4" Direct Flusher
2.5CSF	2.5" Combo Flusher
3CSF	3" Combo Flusher
3WTCSF	3" Widetrack Combo Flusher
3.5CSF	3.5" Combo Flusher



THE PHANTOM DDM SANDER

The Columbia Phantom Sander is a dustless sander head, pole and hose that connects to any vacuum with a standard 1.5" inlet.

The pole extends 26" to 46" and the hose is 30 feet long. The Phantom sands corners easily because of it's shape and collects 99% of dust.



THE SANDER HEAD

The Columbia Sander Head incorporates all of the industry's preferred functionalities in the first fully machined billet aluminum body. Utilizing our No Flip technology, our Sander Head flows smoothly on the wall.

Item No.	Description
PDDM	Phantom DDM Sander
CS	Columbia Sander Head
CSH	Columbia Sander Pole
TL-3-8	Twist Lock Handle w PHA



Uses the standard paint handle thread.

THE TOOL CASES

Columbia offers two storage cases for finishing tools. The Road Case measures 17"x9"x57" and is an extremely durable case built to endure the abuse of travel, and wear and tear of the jobsite. Ideal for the larger automatic tools, the Road Case features handles and wheels. The Columbia Gun Case is 53.4" x 16.5" x 4.5" and fits a complete set of semi-automatic tools. The plastic case features eggshell foam support to ensure the tools remain in place.

Item No.

Description

TCS
RC

Columbia Gun Case
Columbia Road Case



The Gun Case is lightweight, but strong, and can protect a full set of semi-automatic tools.

GET SOCIAL:
[@columbiatools](#)

MAINTENANCE KITS

Columbia offers many kits to keep your tools working for you. Available in a convenient clam shell case for easy storage of parts, each kit has an accompanying video on Youtube and on the Columbia website to walk you through every step of installation. And as always, our experts are only a phone call or email away!

Item No.	Description
AHR-BK-2	Anglehead Blade Kit 2"
AHR-BK-2.5	Anglehead Blade Kit 2.5"
AHR-BK-3	Anglehead Blade Kit 3.5"
AHR-K	Anglehead Maintenance Kit
CC-RK	Corner Cobra Maintenance Kit
CRA-2	Corner Roller Wheel Kit
CTA-41	Cutter Block Assembly
CTR-1	Taper Maintenance Kit
CTR-2	Taper Head Maintenance Kit
CTR-42A	Taper Blades Kit
CTR-63	Taper Needles Kit
CTR-72	Taper Cables Kit
FFBA-36	Box Wheels Kit
FFBR-7-7A	Box Shoes Kit
FFBR-9-5.5	Box Blades Kit 5.5"
FFBR-9-7	Box Blades Kit 7"
FFBR-9-8	Box Blades Kit 8"
FFBR-9-10	Box Blades Kit 10"
FFBR-9-12	Box Blades Kit 12"
FFBR-9-14	Box Blades Kit 14"
HNSA-5-2	Nail Spotter Wheel Kit 2"
HNSA-5-3	Nail Spotter Wheel Kit 3"
HNS7-2	Nail Spotter Blade 2"
HNS7-3	Nail Spotter Blade 3"
HHR-1	Hydra Handle Maintenance Kit
MPR-1	Mud Pump Maintenance Kit

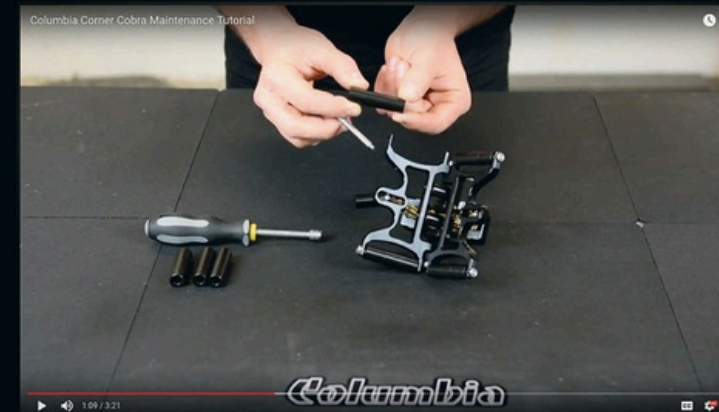
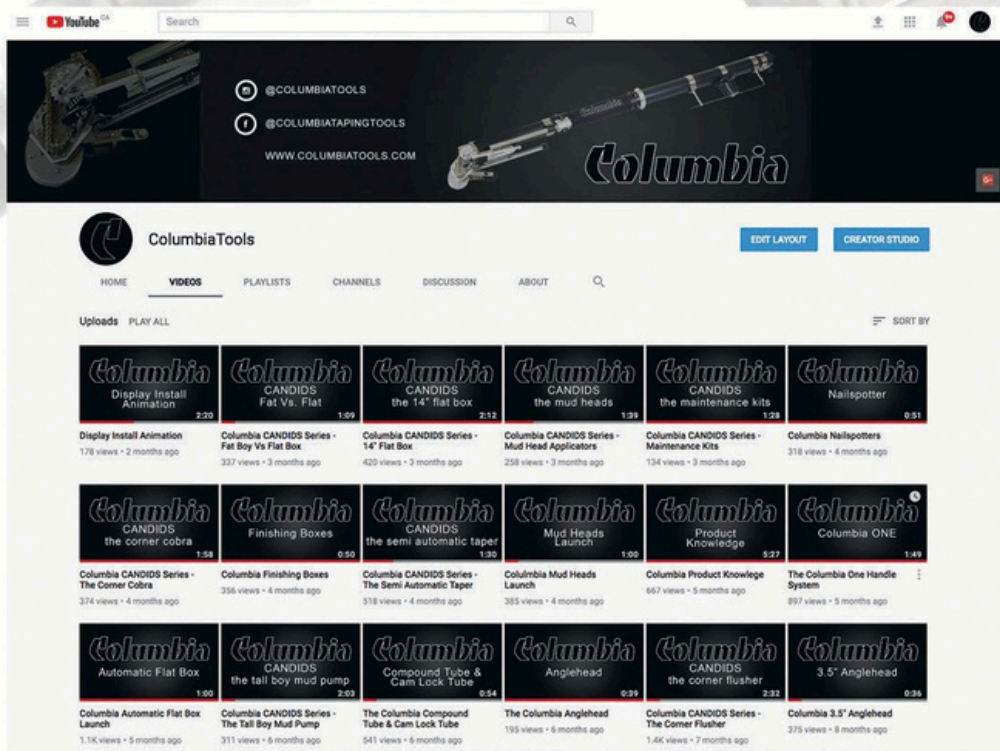


SCAN THE QR CODE ON THE KIT WITH
YOUR CAMERA APP TO FIND
INSTRUCTIONAL YOUTUBE VIDEOS
FOR EVERY MAINTENANCE KIT!

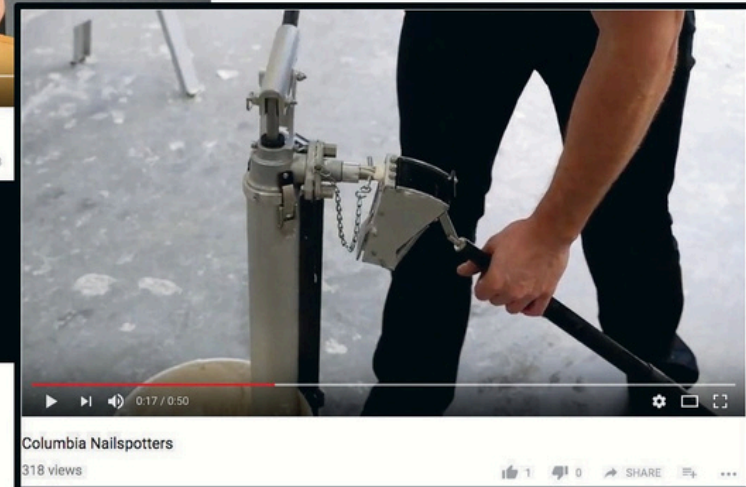
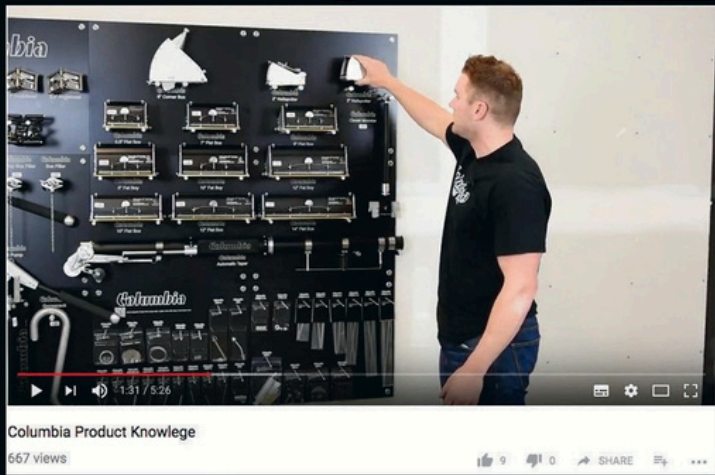
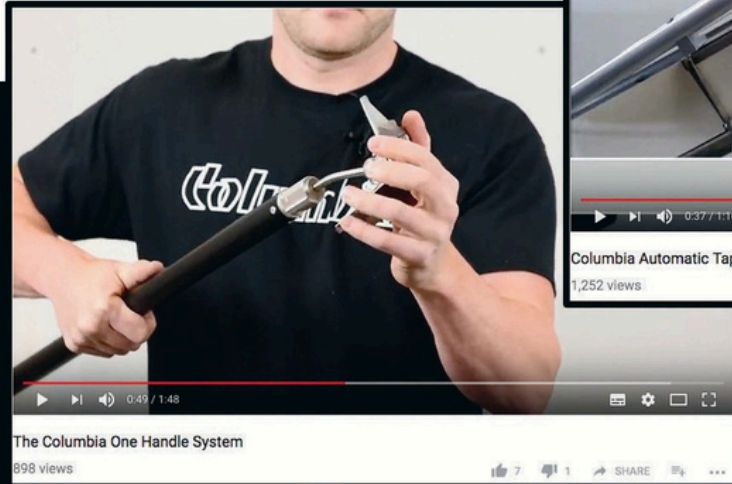


VIDEO LIBRARY

Supporting our customers is our number 1 priority! Columbia has created a detailed video library with playlists such as maintenance instructions for the kits (both live and animated) and explanatory candid series'. We also have created "How To" videos on nearly every tool to help the new and experienced user. New videos are released all the time. Our videos are not only on our new state of the art website, but they are also on our easy to locate Youtube channel. Users can find all the information they need... from tool use, to maintenance, to troubleshooting.



GET SOCIAL:
@columbiatools



SOCIAL MEDIA

Join us on our social media channels! We post how-to videos with user based tips and tricks, keep you up to date on all the newest releases, and host giveaways and contests!



@columbiatools

@columbiatools

@columbiatools

FAMILY VALUES

STRENGTH. HEART. INTEGRITY.



When you buy from Columbia you are doing more than making a smart purchase. You are joining the Columbia customer family.

We are a family-oriented company with the kind of heart that distinguishes a champion from a challenger. Our values are as strong as our tools and our commitment to our customers is even greater.

We get our hands dirty every day and search for excellence in everything we do to give you the best experience possible.

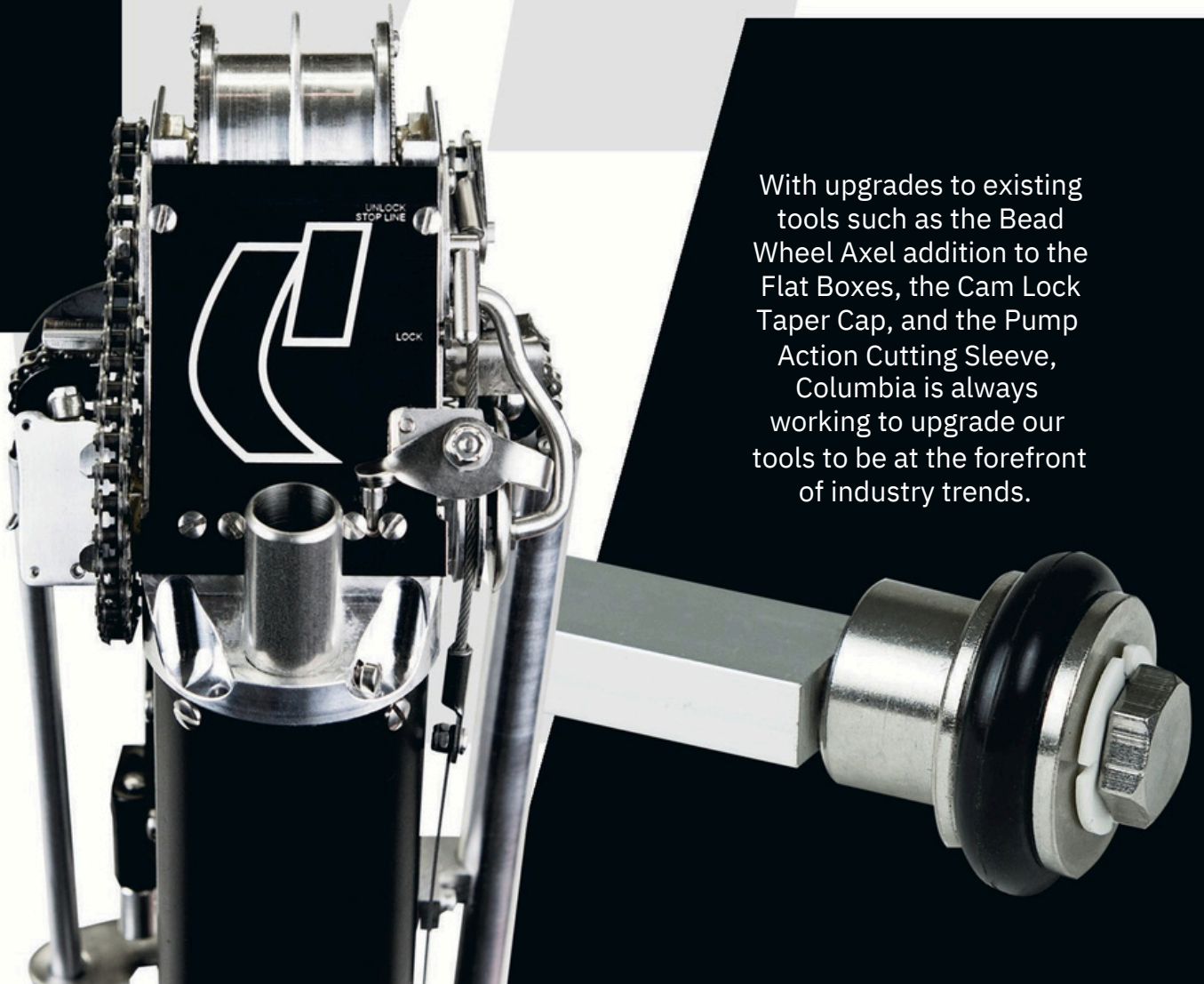
GET SOCIAL:
@columbiatools

INNOVATION

Columbia prioritizes innovation for the industry. We strive to improve the experience for the end user.

The new tool releases, such as the carbon fiber Predator Automatic Taper, the Corner Cobra, the Tomahawk Smoothing Blades, the Phantom DDM Sander, the Matrix Box Handles, and the Road Case, combined with the existing tool upgrades, make Columbia the most innovative taping tools company on the market.

With upgrades to existing tools such as the Bead Wheel Axel addition to the Flat Boxes, the Cam Lock Taper Cap, and the Pump Action Cutting Sleeve, Columbia is always working to upgrade our tools to be at the forefront of industry trends.



MAKING TAPING TOOLS EASY

Columbia

Suite A - 19169 - 21st avenue
Surrey, British Columbia
V3Z 3M3
Canada

1.800.663.8121

support@columbiatools.com

www.columbiatools.com

FB, YouTube, IG: @columbiatools



QUALITY.
VALUE.
INNOVATION.